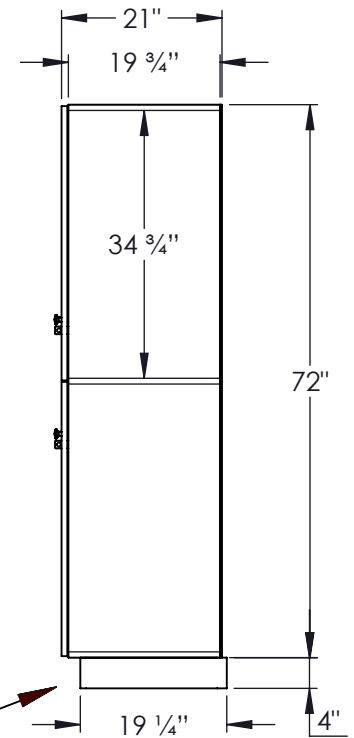


MODEL #42161
 12" WIDE DOUBLE TIER
 PREMIER WOOD LOCKER – 1 WIDE
 WITH STANDARD HASPS

(2) LOCKER COMPARTMENTS
 EACH COMPARTMENT:
 10-3/4" W x 34-3/4" H x 19-3/4" D

SIDE VIEW



(NOTE: PREMIER LOCKER SHOWN
 WITHOUT SIDE PANEL OR SLOPING
 HOOD. PLEASE ORDER SEPERATELY.)

(BASES ARE MADE OF INDUSTRIAL GRADE
 PARTICLEBOARD AND ARE COVERED IN A
 DURABLE BLACK LAMINATE. PLEASE SET BASE
 TO ALLOW 5/8" BETWEEN THE BACK OF THE
 LOCKER AND THE WALL FOR AIR VENTILATION.)

MODEL #42161

12" WIDE DOUBLE TIER
 PREMIER WOOD LOCKER
 WITH STANDARD HASPS
 SIX FEET HIGH (ADD 4" FOR BASE)

AVAILABLE FINISHES: ARCTIC WHITE, WINTER FOG,
 CARBON MESH, SILVER TEAK, RED OAK, SKYLINE WALNUT

DRAWN: 4/2024

18300 CENTRAL AVENUE
 CARSON, CA 90746-4008
 PHONE: (800) 562-5377
 FAX: (800) 562-5399
 email: engineering@lockers.com